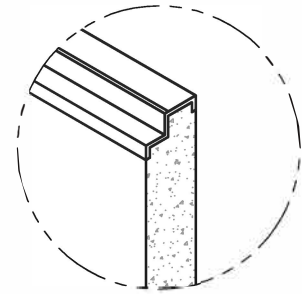
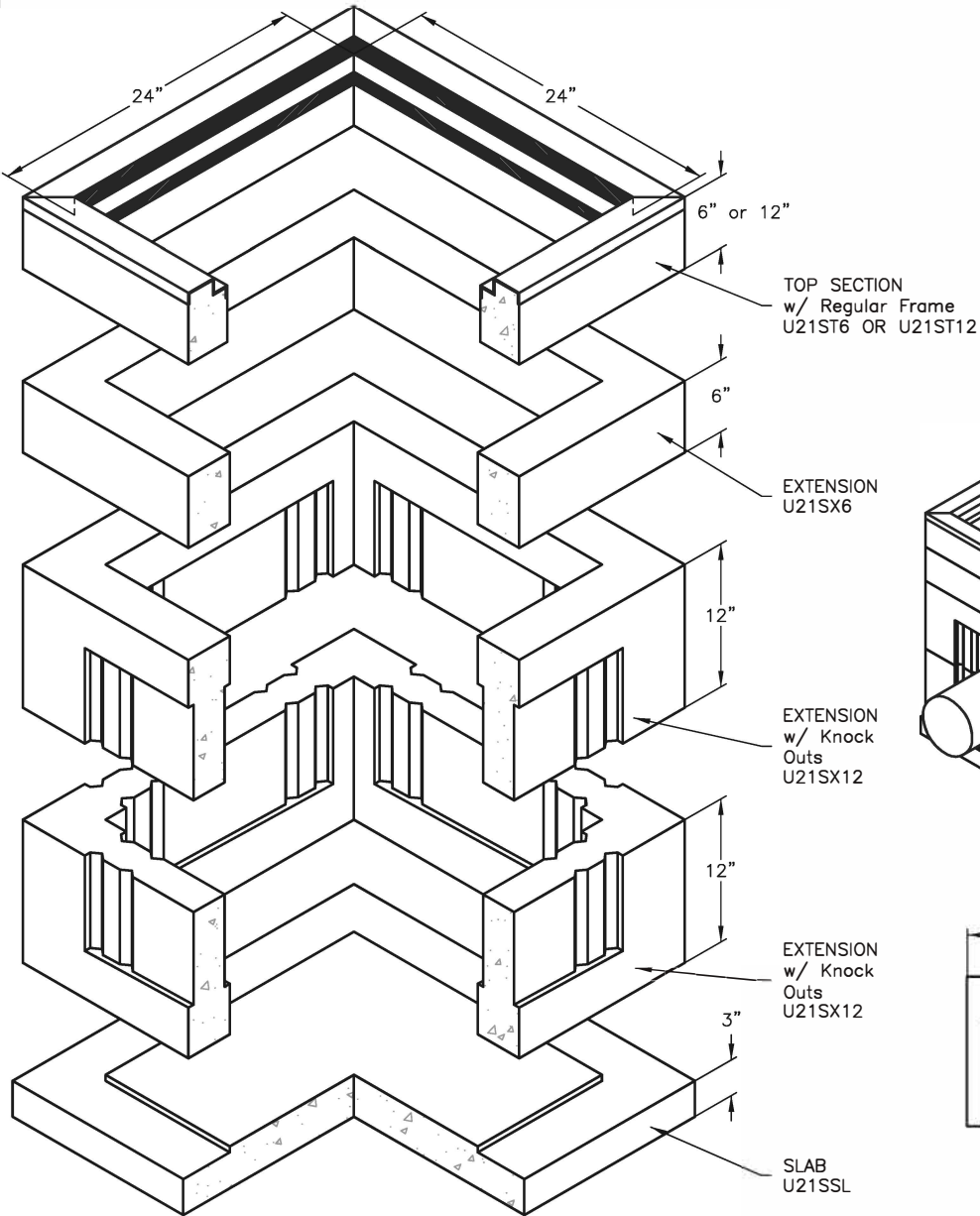


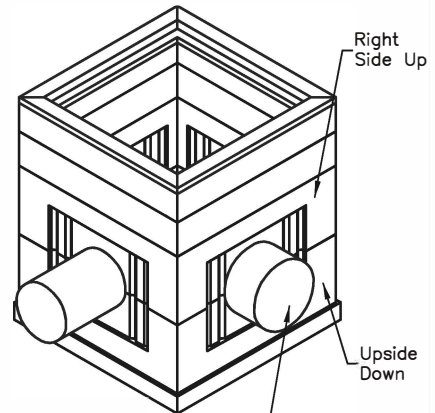
B.L. WALLACE-DISTRIBUTOR, INC.

8542 La Salle St., Cypress, CA 90630 Phone (714)761-2071 FAX (714)761-0460
www.blwallace.com

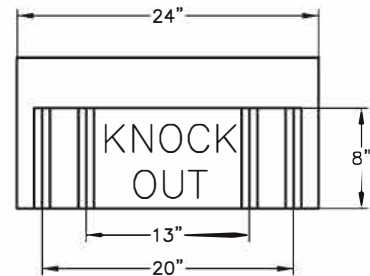
U21 SECTIONAL CATCH BASIN



Cast-in galvanized frame for grate with anchor bolts.



Fits up to 16" O.D. Pipe



Oldcastle Ordering Code	Item	Approx. Shipping Weight	Description
U21S	DRAIN BOX		U21S Sectional drain Box (24" x 24" I.D.)
U21ST12RF	TOP SECTION	403 lbs.	12" Reinforced concrete with regular frame
U21ST6RF	TOP SECTION	190 lbs.	6" Reinforced concrete with regular frame
U21SX12NF	EXTENSION	337 lbs.	12" Reinforced concrete with knock outs, no frame
U21SSL	SLAB	164 lbs.	3" Reinforced concrete (33" x 33")
U21SX6-NF	EXTENSION	330 lbs.	6" Reinforced concrete, no frame



U21S SECTIONAL

FILE NAME: U21S_JS0

ISSUE DATE: January, 2011

U21S SECTIONAL CATCH BASIN CHRISTY'