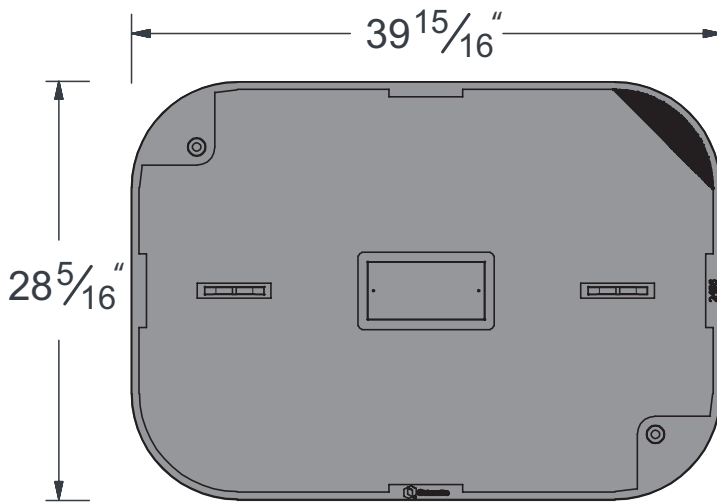


**FLUSH**



**T-COVER**

**MATERIAL & STYLE**

Composite  
Flush Solid  
T-Cover Solid  
Non-skid texture

**HARDWARE**

1/2-6 Stainless Steel Hex  
Head Bolt, Washer and  
Push Nut

**PERFORMANCE &  
WEIGHT**

ANSI/SCTE-77, Tier 22

Flush Cover: 40 lbs  
T-Cover: 46 lbs

**OPTIONS**

- Hex Head Coil Thread Bolt
- Penta Head Coil Thread Bolt
- Logos and Special Markings
- Marking Plate
- EMS Marker

Cover comes standard with permanent markings for manufacturer, load rating, model size and manufacturing location.

**WARNING:** Cancer - [www.P65Warnings.ca.gov](http://www.P65Warnings.ca.gov)

All information contained on this sheet is current at the time of publication.  
Oldcastle reserves the right to discontinue or update product information without notice.

Revision 06/16/20



**HEAVY DUTY**  
ANSI/SCTE TIER 22

For use in non-vehicular traffic situations only. Weights and dimensions may vary slightly. Actual load rating is determined by the box and cover combination.

© 2020 Oldcastle Infrastructure, Inc