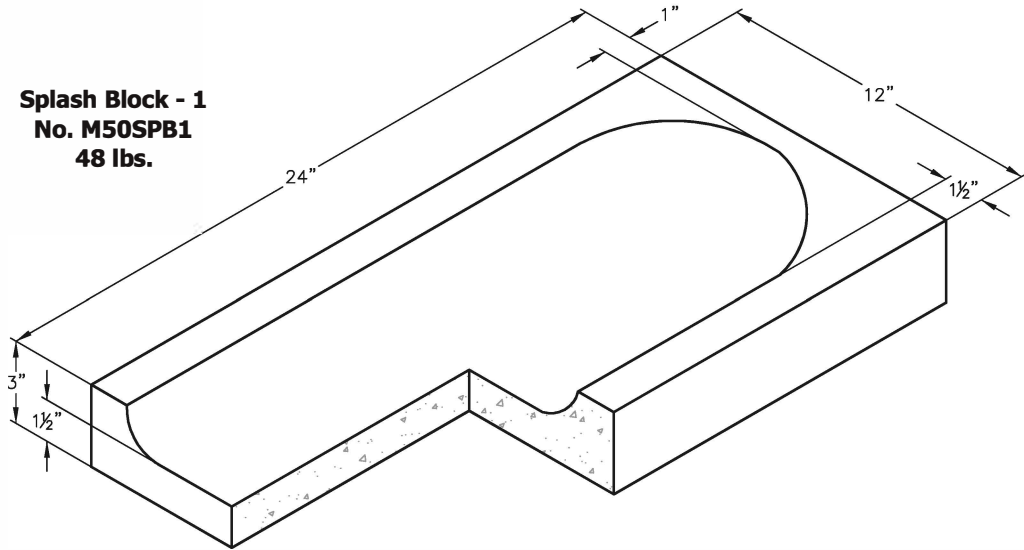


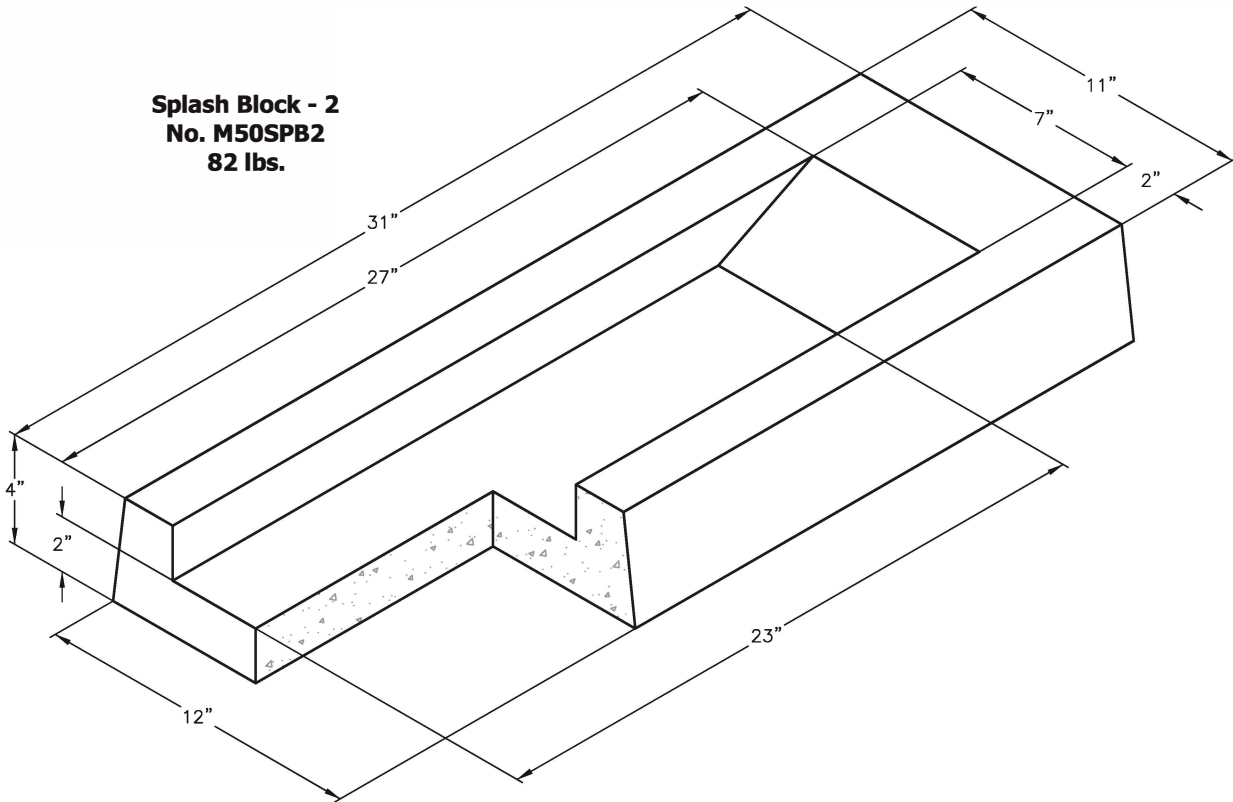
B.L. WALLACE-DISTRIBUTOR, INC.

8542 La Salle St., Cypress, CA 90630 Phone (714)761-2071 FAX (714)761-0460
www.blwallace.com

Splash Block - 1
No. M50SPB1
48 lbs.



Splash Block - 2
No. M50SPB2
82 lbs.



Oldcastle Ordering Code	Item	Approx. Shipping Weight	Description
M50SPB1	SPLASH	48 lbs.	12" x 24" Splash Block, Reinforced Concrete
M50SPB2	SPLASH	82 lbs.	12" x 31" Splash Block, Reinforced Concrete, FHA Approved



SPLASH BLOCK

FILE NAME: 50SPLBLOCK_ISO

ISSUE DATE: January, 2011

SPLASH BLOCK

CHRISTY

MISC.