

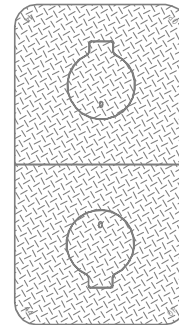
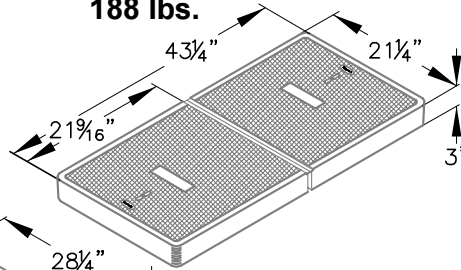
# B.L. WALLACE-DISTRIBUTOR, INC.

8542 La Salle St., Cypress, CA 90630 Phone (714)761-2071 FAX (714)761-0460  
www.blwallace.com

Utility and Value Boxes

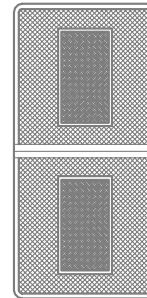
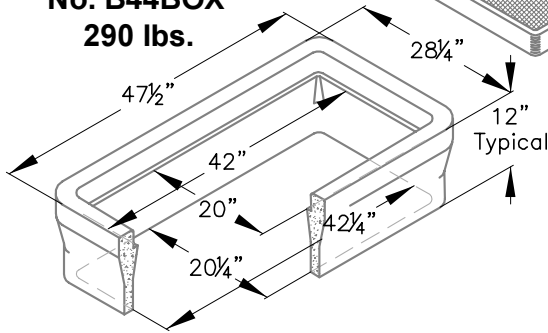
## REINFORCED CONCRETE LID

No. B44D2  
188 lbs.

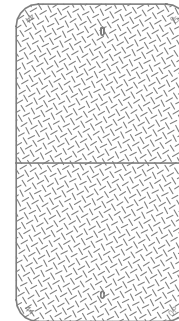


**B44-62G**

UTILITY BOX  
No. B44BOX  
290 lbs.



**B44E2**



**B44-62D**

A high density reinforced concrete box with non-setting shoulders positioned to maintain grade and facilitate back filling. Approximate dimensions and weight shown.

Ordering Code	Item	Approx. Shipping Weight	Description
B44BOX	BOX	290	B44 Utility Box (20 1/4" x 42 1/4")- 6 per pallet
B44D2	LID	188	2 pc. Reinforced concrete
B44E2	LID	200	2 pc. Reinforced concrete with two 7" x 13 1/2" concrete reading lids
B44-62D	COVER	96	2 pc. Steel checker plate
B44-62G	COVER	99	2 pc. Steel checker plate with two 6" round, self-closing, reading lid
B44X8	EXTENSION	178	8" Reinforced concrete- 8 per pallet
B44SL	SLAB	150	Reinforced concrete (24 1/4" x 46")

Galvanizing available on all steel covers.



**Oldcastle Precast**<sup>®</sup>  
Enclosure Solutions  
MADERA/TRACY/ROSEVILLE/PHOENIX

Copyright © 2008 Oldcastle Precast Inc.

### B44 BOX

FILE NAME: 036UWMB44BOX\_ISO

ISSUE DATE: January, 2008

### B44 UTILITY BOX 20-1/4" x 42-1/4"

