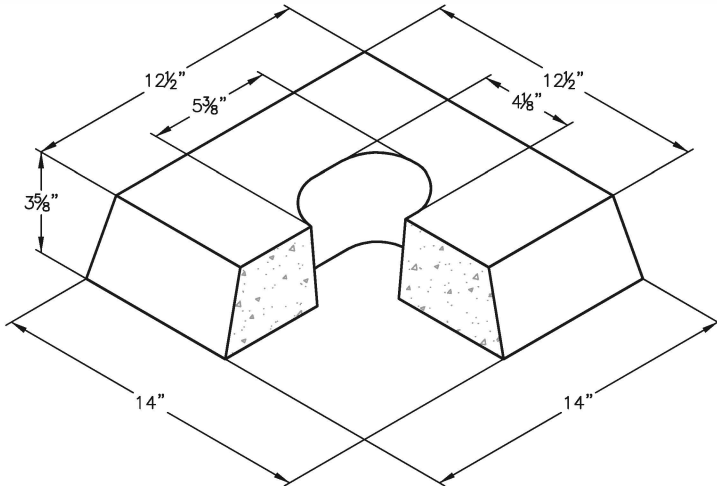


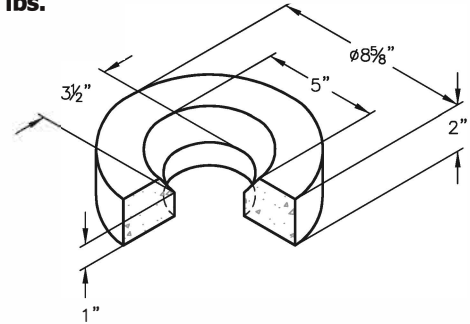
B.L. WALLACE-DISTRIBUTOR, INC.

8542 La Salle St., Cypress, CA 90630 Phone (714)761-2071 FAX (714)761-0460
www.blwallace.com

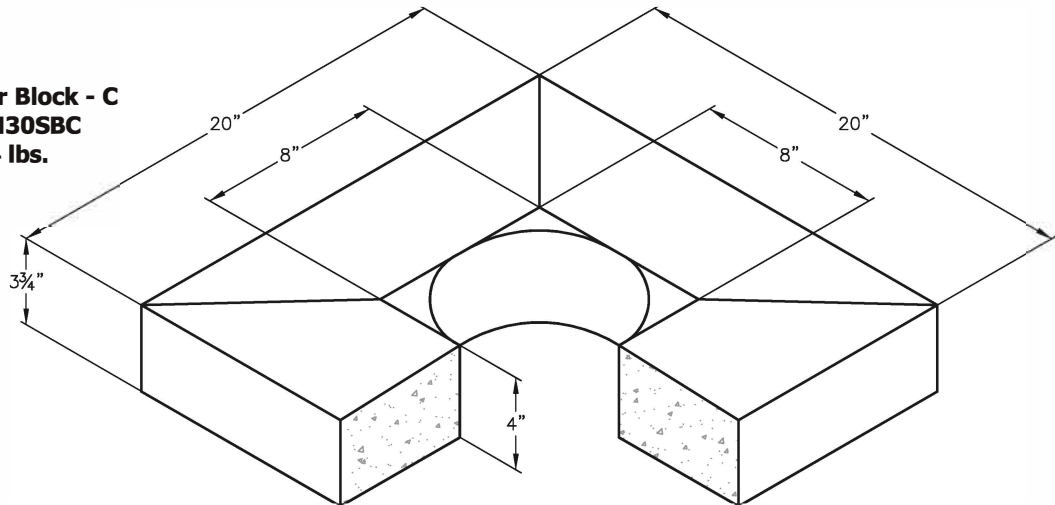
Sprinkler Block - A
No. M30SBA
48 lbs.



Sprinkler Block - B
No. M30SBB
6 lbs.



Sprinkler Block - C
No. M30SBC
94 lbs.



A precast concrete protector for a variety of sprinkler heads. For extra heavy duty applications where maximum protection is required. Can be set above ground or at ground level. Approximate dimensions and weight shown.

Oldcastle Ordering Code	Item	Approx. Shipping Weight	Description
M30SBA	SPRINKLER	48 lbs.	Type A, Sprinkler Block (14" x 14" x 4") - 45 per pallet
M30SBB	SPRINKLER	6 lbs.	Type B, Sprinkler Block (ø8 5/8" x 2") - 100 per pallet
M30SBC	SPRINKLER	94 lbs.	Type C, Sprinkler Block (20" x 20" x 3 3/4") with ø8" hole - 20 per pallet



SPRINKLER BLOCKS

FILE NAME: 30SPRBLOCK_ISO

ISSUE DATE: January, 2011

SPRINKLER BLOCKS

CHRISTY