

B.L. WALLACE-DISTRIBUTOR, INC.

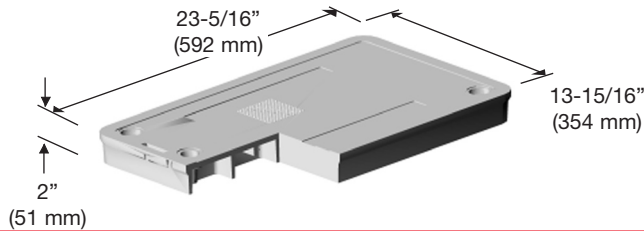
8542 La Salle St., Cypress, CA 90630 Phone (714)761-2071 FAX (714)761-0460
www.blwallace.com



SPECIFIED AND PREFERRED WORLDWIDE

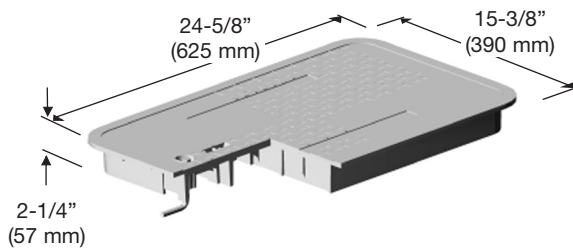
L Series 1324

Light Duty



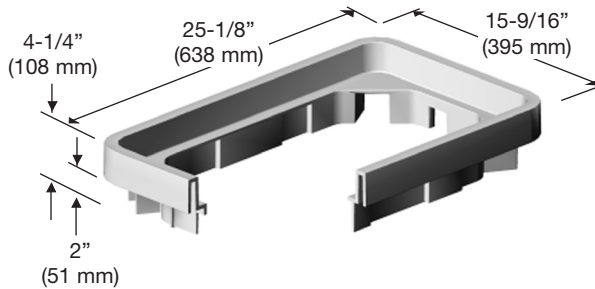
Flush Cover

Material: HDPE
Weight: 6.0 lbs.
Model: 1324-3B Bolt Down
1324-3L Captive L-Bolt Lock



T-Cover

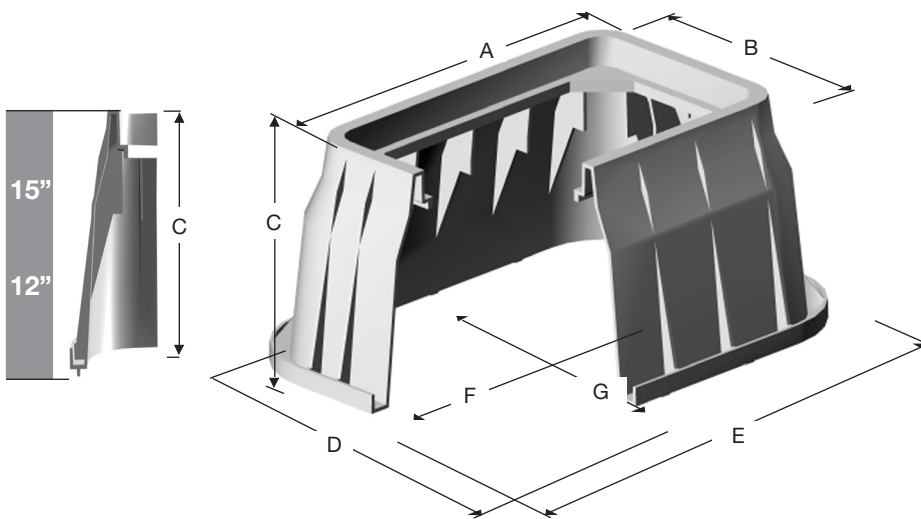
Material: HDPE
Weight: 6.0 lbs.
Model: 1324-4B Bolt Down
1324-4L Captive L-Bolt Lock



Grade Ring

Material: HDPE
Weight: 4.0 lbs.
Model: 1324**2RH

(Stackable)



Bodies (1324-12, 1324-15)

Material: HDPE
Weight 12: 16.0 lbs.
Model. 12: 1324-12

Weight 15: 20.0 lbs.
Model. 15: 1324-15

Colors Available

Green, Gray or Black

	A	B	C	D	E	F	G
1324-12	25-3/8" (645 mm)	15-15/16" (405 mm)	12" (305 mm)	22-5/8" (575 mm)	32-1/16" (814 mm)	28-15/16" (735 mm)	19-1/2" (495 mm)
1324-15	25-1/4" (641 mm)	15-3/4" (400 mm)	15-1/4" (387 mm)	23-5/16" (592 mm)	32-3/4" (832 mm)	29-5/8" (752 mm)	20-3/16" (513 mm)

Note: For use in non-vehicular traffic situations only. We do not recommend installation in concrete or asphalt. Weights and dimensions may vary slightly.